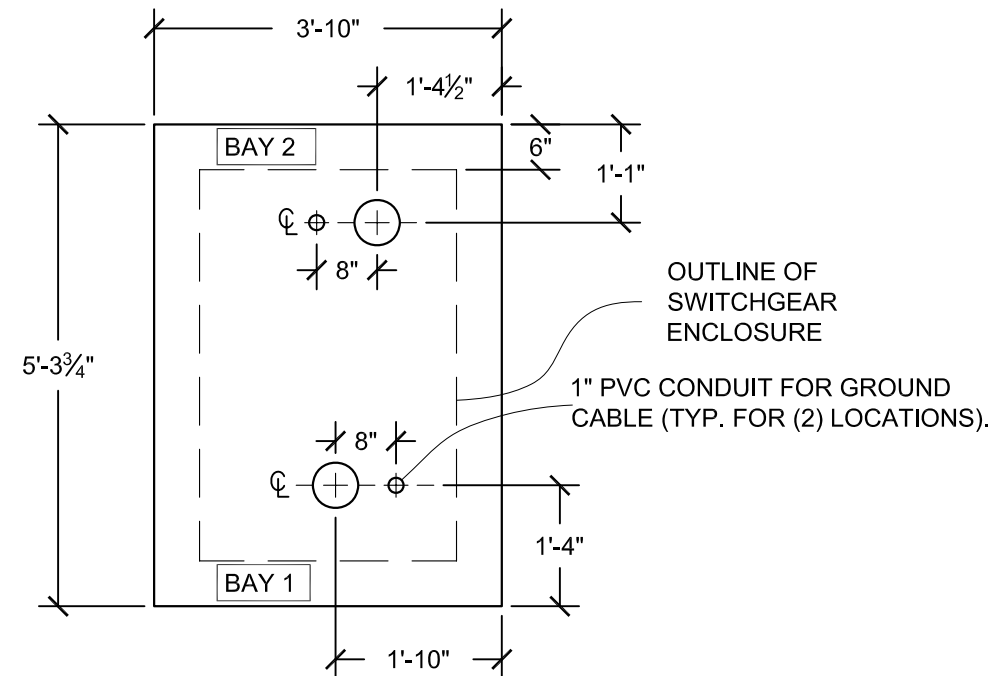
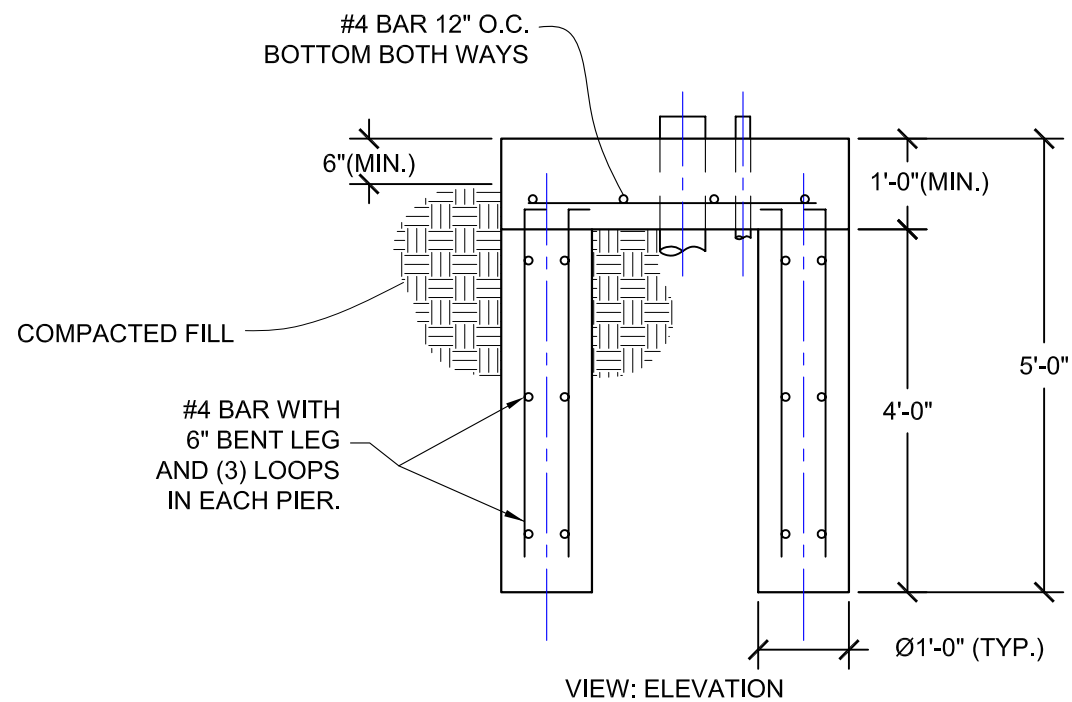


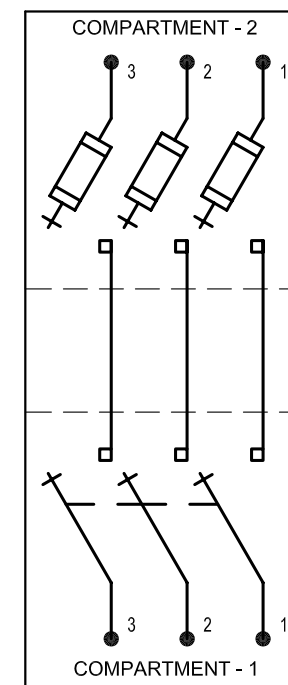
PLAN VIEW: PIER ORIENTATION



PLAN VIEW: CONDUIT LOCATIONS



VIEW: ELEVATION



PMH-5 CONNECTION DIAGRAM

MATERIAL NOTES:

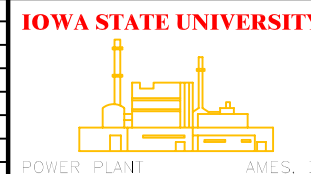
CONCRETE:
28 DAY STRENGTH - 4000 PSI
COARSE AGGREGATE - 1" LIMESTONE
AIR ENTRAINING - 5% TO 7%

CONCRETE REINFORCEMENT:
ASTM A615 GRADE 60.

NOTES:

CONCRETE PAD MINIMUM 6" ABOVE FINISHED GROUND LEVEL.
ADJUST THICKNESS TO ACCOMODATE GRADING.

ENGR: RKL		DATE: 8/28/2009	
#	Date	Revision	By
SHEET SIZE: 11 X 17		SCALE = NTS	



FACILITIES PLANNING
&
MANAGEMENT
UTILITY SERVICES

DWG. TITLE: SWITCHGEAR S&C PMH 5

TYPE: CONCRETE DETAIL

DWG. NO.: EU-3_PMH 5 SWGR FOUNDATION

REV.:

SHEET: 1 OF 1

DWG. TITLE: SWITCHGEAR S&C PMH 5

TYPE: CONCRETE DETAIL

DWG. NO.: EU-3_PMH 5 SWGR FOUNDATION

REV.:

SHEET: 1 OF 1